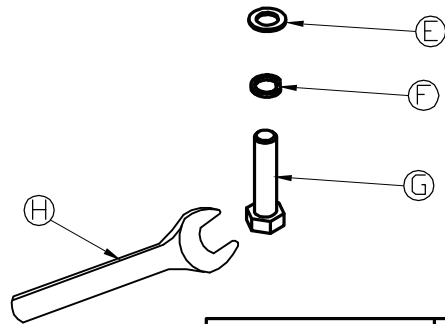
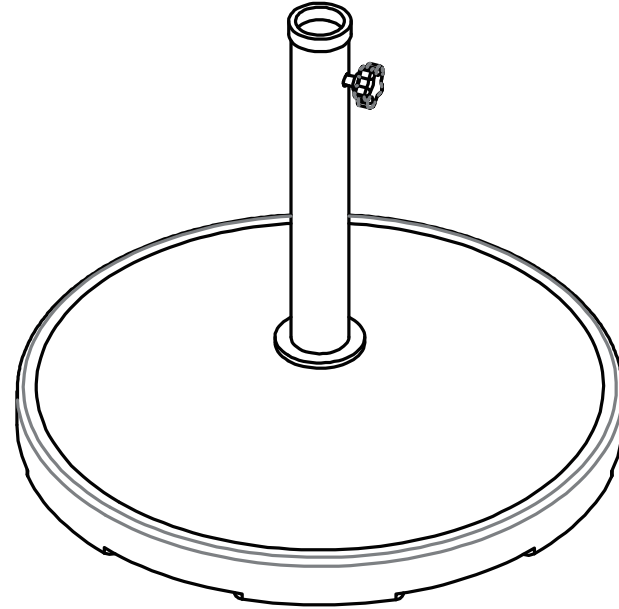
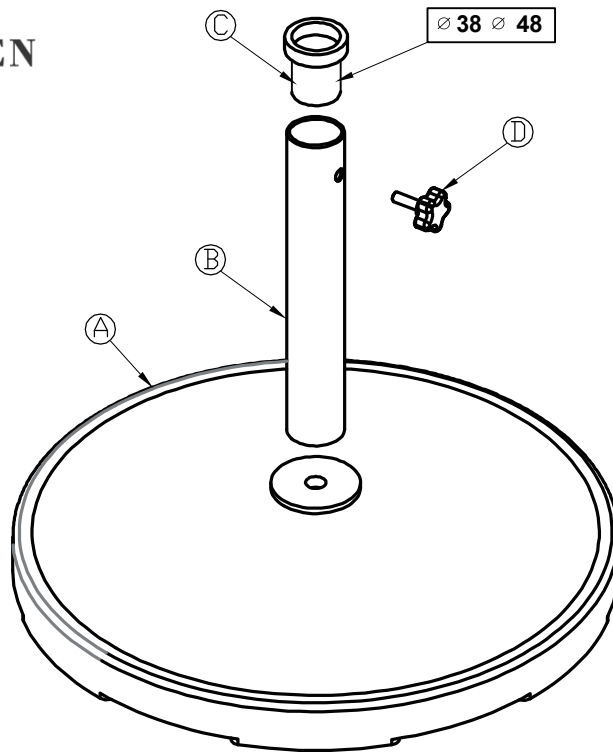


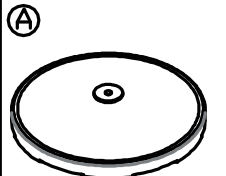
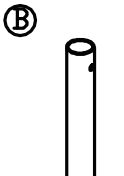
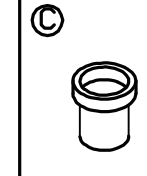
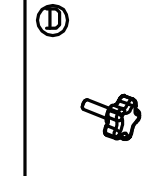
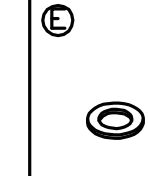
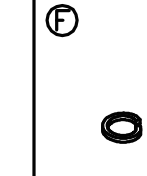
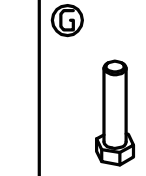
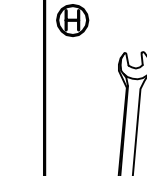


**PURE GARDEN**

PATIO AND GARDEN ESSENTIALS

# 26 Pound Market Umbrella Weight



 A	 B	 C	 D	 E	 F	 G	 H
x1	x1	x1SET	x1	x1	x1	x1	x1

Customer Service

Contact us through our website:  
[www.TeamCustomerService.com](http://www.TeamCustomerService.com)  
If you have a question about assembly, use or a possible missing part,  
Please contact us and we will be glad to assist you.